





**DIRECTIONAL VALVES**

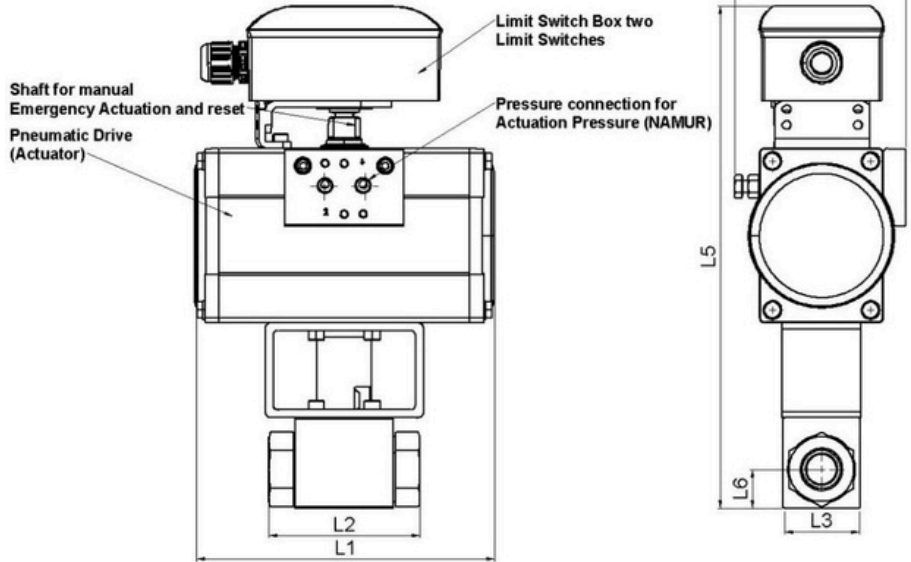
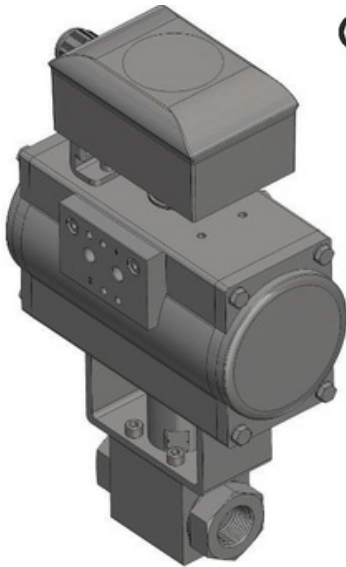
**GENERAL TECHNICAL DATA**

<b>Allowed System Pressure PN</b>	<b>140bar(110bar) and 240bar</b> <i>A series for a maximum pressure of 63 bar is also available.</i> <i>However, there is no VdS approval here</i>
Nominal Actuation Pressure	6bar
Actuation Pressure Range	6-10bar
Temperature Range TS	-20°C to +100°C (Ball Valve) -20°C to +80°C (Pneumatic Actuator)
Gas Specifications and Extinguishing Agents	IG01, IG100, IG55, IG 541, CO <sup>2</sup> and Clean Agents
Materials	Zink plated steel, Stainless steel, aluminium, plastics, elastomeric materials
Dimensions	As per Technical Specification on further pages
Connection Types	Threaded Connection (BSP,NPT); ISO, ASME and DIN Flanges (as per Technical Specification on further pages)
Approvals	VdS,  ,  , FM-tested
Technical Options	• Electrical and mechanical Position Control Manual Actuation and reset by Wrench
Values of electrical limit switch	Voltage: 12-250V AC/DC Operating current: 0,1-10A Number of switches: max. 4





## DIRECTIONAL VALVES FOR BSP PIPE CONNECTION 140BAR USE

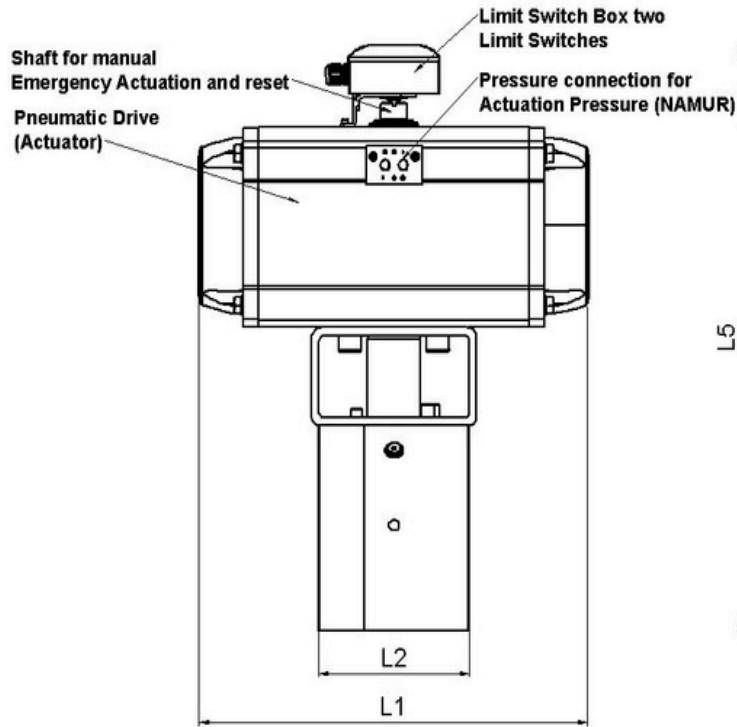
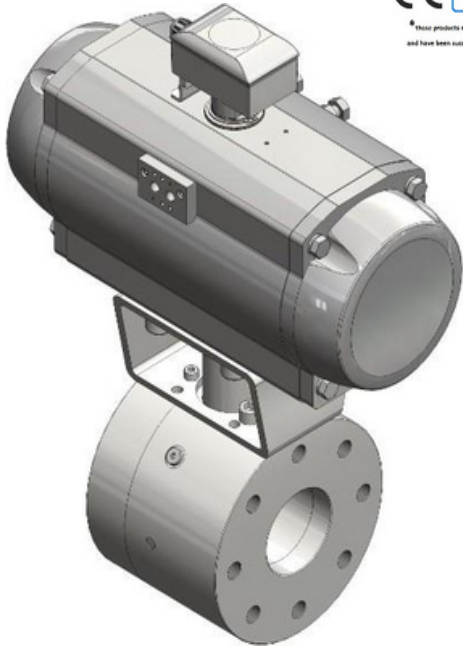


Article Code	Size	Connection Type (Thread)	L1	L2	L3	L4	L5	L6	Weight
SHU113	DN20	G3/4" BSP	189	95	49	108	317	24,5	6,2kg
SHU114		3/4" NPT							
SHU115	DN25	G1" BSP	189	113	58	108	325	29,5	7kg
SHU116		G1" NPT							
SHU117	DN32	1 1/4" BSP	231	111	81	133	370	40	11kg
SHU118		1 1/4" NTP		120					
SHU119	DN40	G1 1/2" BSP	257	130	100	154	413	50	15,8kg
SHU120		1 1/2" NPT							
SHU121	DN50	G2" BSP	257	140	118	154	428	59	18,5kg
SHU122		2" NPT		150					





### DIRECTIONAL VALVES WITH ISO FLANGE CONNECTION 140BAR USE

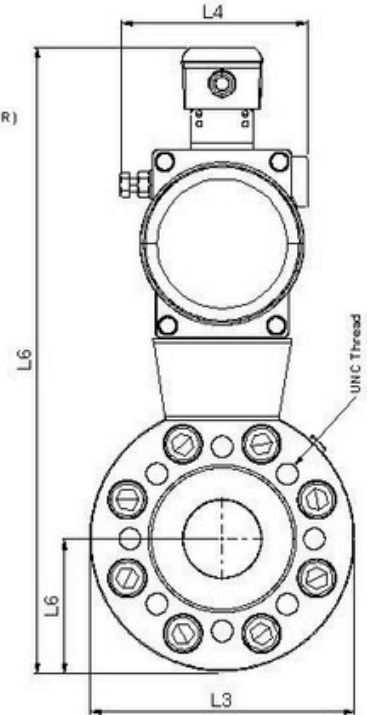
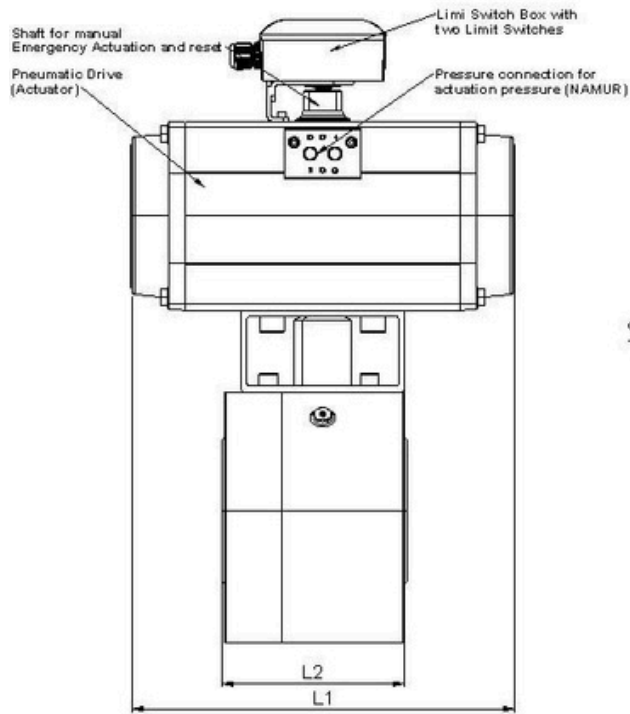
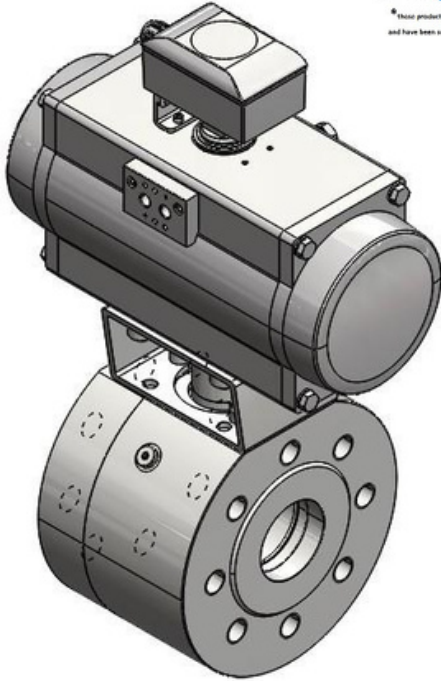


Article Code	Size	Connection Type (Thread)	L1	L2	L3	L4	L5	L6	Weight
SHU123	DN63	2 1/2"	334	150	208	161	546	104	48,4kg
SHU124	DN80	3"	374	170	258	182	608	129	80,1kg
SHU125	DN100	4"	519	200	260	242	718	130	113,4kg





### DIRECTIONAL VALVES WITH ASME CLASS 600 FLANGE CONNECTION 110BAR USE



Article Code	Size	Connection Type (Thread)	L1	L2	L3	L4	L5	L6	Weight
SHU126	DN63	2 1/2"	334		208	161	562	112	55,7Kg
SHU127	DN80	3"	374	190	258	182	609	129	84kg
SHU128	DN100	4"	519	210	260	242	680	130	108kg





# B IGLEAP

## FIRESAFETY CORPORATION

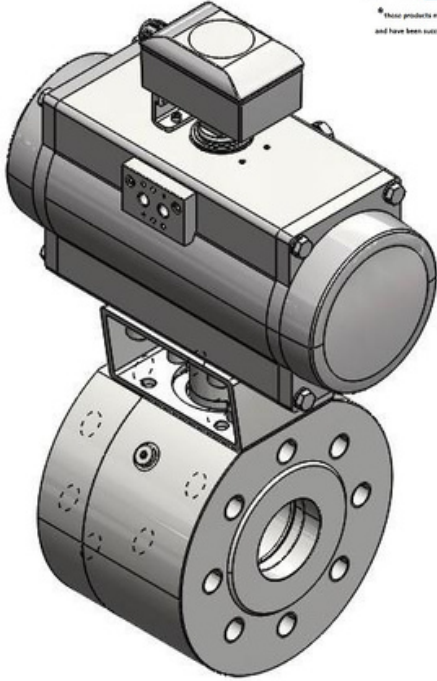
### DIRECTIONAL VALVES WITH DIN EN 1092-1 FLANGE CONNECTION

# DATA SHEET

### 140BAR USE



\* These products meet the requirements of FM standards and have been successfully tested by FM Approvals

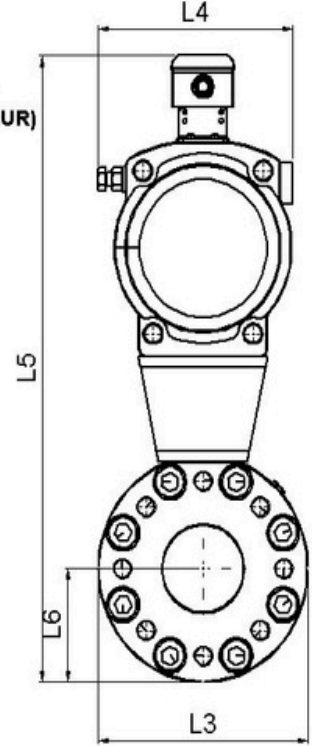
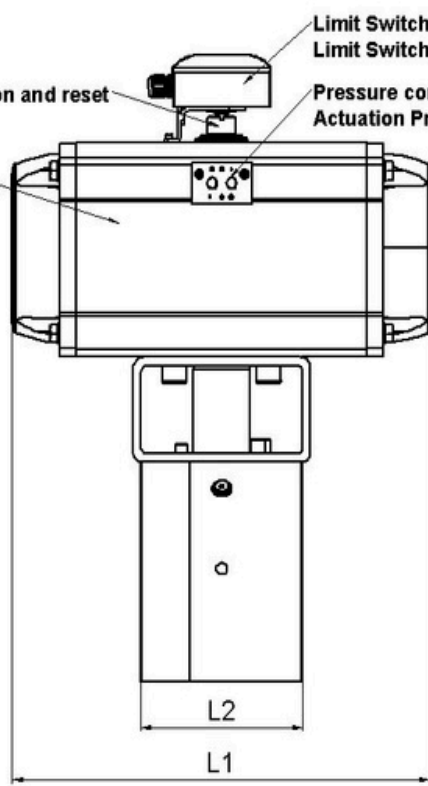


Limit Switch Box two Limit Switches

Pressure connection for Actuation Pressure (NAMUR)

Shaft for manual Emergency Actuation and reset

Pneumatic Drive (Actuator)



Article Code	Size	Connection Type (Thread)	L1	L2	L3	L4	L5	L6	Weight
SHU129	DN63	2 1/2"	334		208	161	562	112	59,5kg
SHU130	DN80	3"	374	180	258	182	609	129	81,5kg
SHU131	DN100	4"	519	200	260	242	680	130	105kg



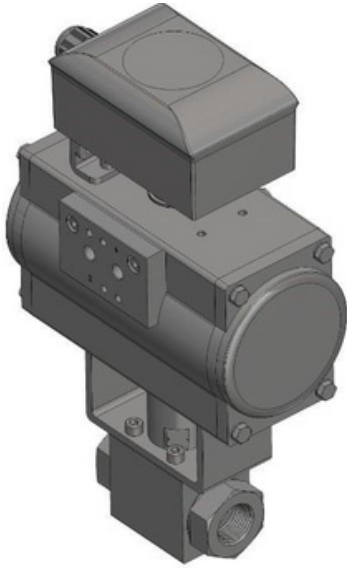
[www.bigleap.ca](http://www.bigleap.ca)

[info@bigleap.ca](mailto:info@bigleap.ca)

1111 West Georgia Street 20th Floor, Vancouver, BC, Canada V6E 4G2

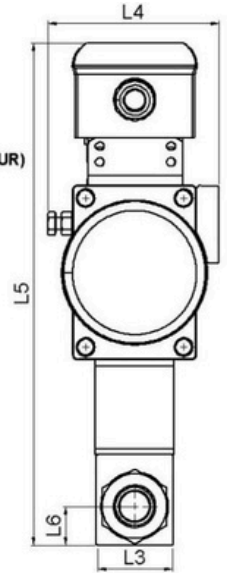
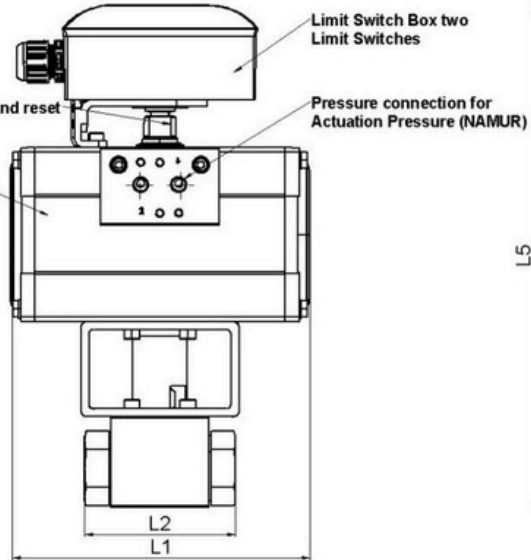


## DIRECTIONAL VALVES FOR BSP PIPE CONNECTION 240BAR USE



\*These products meet the requirements of FM standards and have been successfully tested by FM Approvals

Shaft for manual Emergency Actuation and reset Pneumatic Drive (Actuator)



Article Code	Size	Connection Type (Thread)	L1	L2	L3	L4	L5	L6	Weight
SHU132	DN20	G3/4" BSP	189	95	49	108	317	24,5	6,2kg
SHU133		3/4" NPT							
SHU134	DN25	G1" BSP	214	113	58	124	338	29,5	8,5kg
SHU135		G1" NPT							
SHU136	DN32	1 1/4" BSP	257	111	81	154	396	40	13,4kg
SHU137		1 1/4" NTP		120					
SHU138	DN40	G1 1/2" BSP	257	130	100	154	413	50	15,8kg
SHU139		1 1/2" NPT							
SHU140	DN50	G2" BSP	334	140	118	161	439	59	21,0kg
SHU141		2" NPT		150					

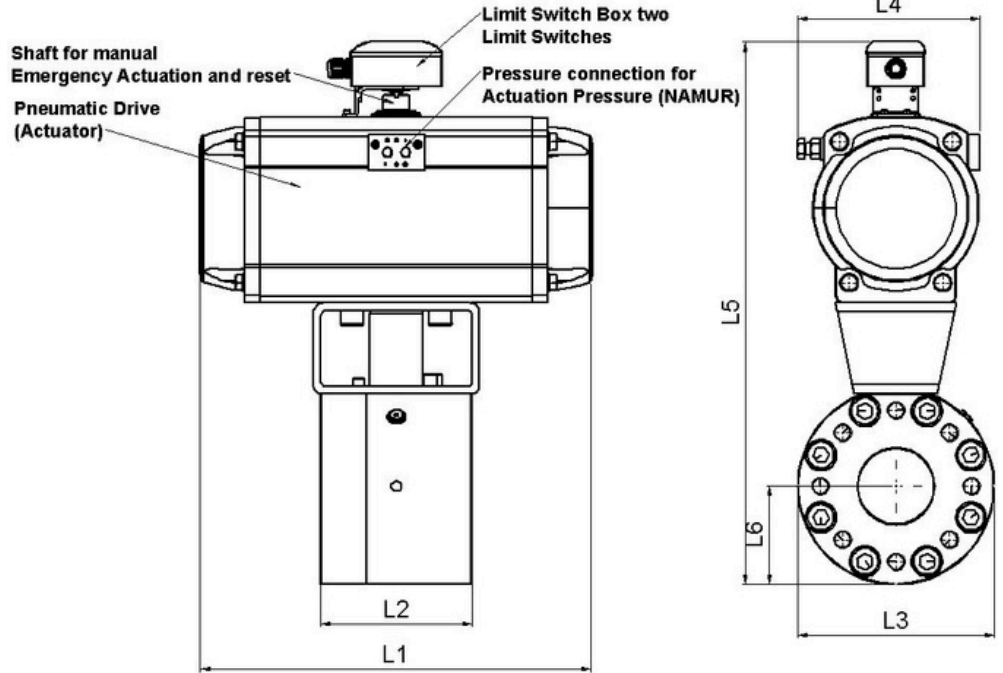
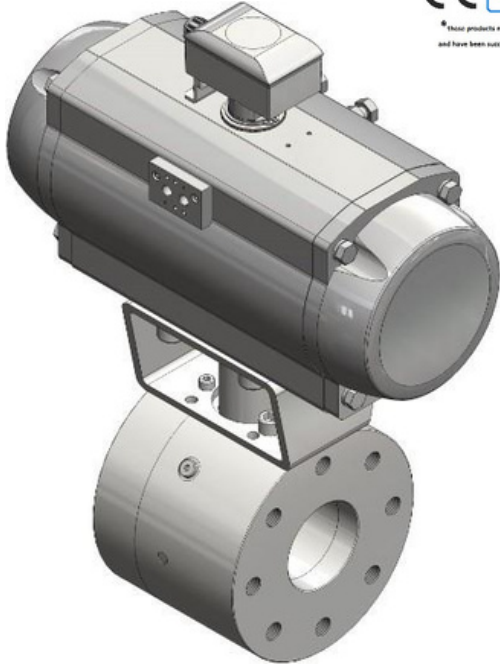




### DIRECTIONAL VALVES WITH ISO FLANGE CONNECTION 240BAR USE



\*These products meet the requirements of FM standards and have been successfully tested by FM Approvals



Article Code	Size	Connection Type (Thread)	L1	L2	L3	L4	L5	L6	Weight
SHU142	DN63	2 1/2"	520	150	208	242	630	104	74,8kg
SHU143	DN80	3"	636	170	258	306	670	129	129kg
SHU144	DN100	4"	636	200	260	306	741	129	143kg





### SOLENOID VALVES TO CONTROL THE DIRECTIONAL VALVES DIRECTLY

For direct assembly to the pneumatic actuation ports

- Type SHU10
  - 3/2 valve - NC
  - 24VDC +/-10%
  - 3.1W
  - Electrical actuation, spring return
  - Operating pressure 6-10bar
  - IP65 / 100%ED
- Type SHU146
  - 3/2 valve - NC
  - 24VDC +/-10%
  - 1.8W
  - Electrical actuation, spring return
  - Operating pressure 6-10bar

**Symbol:**

